

# Hunter®

The Irrigation Innovators

## PGV

*A complete line-up of rugged, professional-grade valves designed to handle the full range of landscape needs*



1" Globe



1" Globe  
Male x Male



1" Globe  
Male x Barb



1½" Globe/Angle

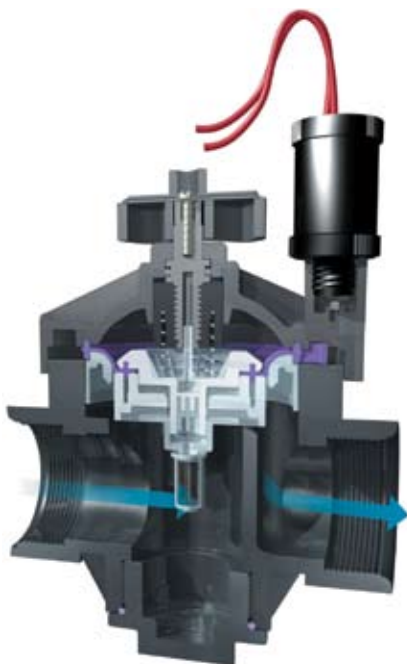


2" Globe/Angle

**T**his hard working, heavy-duty performer offers you the best features of our top-of-the-line valves... more than enough to handle the rigors of whatever your site has to offer. For smaller landscape applications, the PGV is available in four 1" body configurations, in either an angle, globe, male x male, or male x barb design. In

turn, each model is available as either flow control or non-flow control versions. For larger landscape applications, the PGV comes in both 1½" and 2" globe/angle models (with flow control). All models feature durable high-grade construction and a rugged diaphragm with a support to prevent stress failure.

### Features & Benefits



#### Heavy-duty Hunter solenoid

Provides dependable operation and long life

#### High grade construction, 10 Bars rating

Made of durable materials to resist wear

#### Internal and external manual bleed

Internal bleed keeps valve box dry

#### Flow control with non-rising handle

Adjust the flow of each zone on a system

#### Rigid diaphragm support

Works to prevent stress failure in tough conditions

#### Globe and angle configurations

Easy to use in any application

#### Captive bonnet bolts and solenoid plunger

No lost parts during servicing

#### Accu-Set™ pressure regulator compatible

Dial setting pressure regulation for precise system control

### PGV Jar-Top

1" Globe



1" Globe  
Male x Male

*Now it's possible to service a Hunter valve without using any tools to gain access to the inner workings of the product. Product maintenance has never been easier! And with this simplicity, you don't give up any quality or performance as these valves boast more than enough features to handle the demands of whatever your site has to offer. All models feature durable, high-grade, corrosive- and UV-resistant PVC construction and a rugged double-beaded, leak-proof diaphragm with support to prevent stress failure. Plus, you'll find a fully-encapsulated solenoid that guarantees reliable operation time after time.*



## Models

- PGV-100G – 1" plastic globe valve
- PGV-101G – 1" plastic globe valve with flow control
- PGV-100MB – 1" plastic globe valve, no flow control, male thread x barb
- PGV-101MB – 1" plastic globe valve, with flow control, male thread x barb
- PGV-100MM – 1" plastic globe valve, no flow control, male x male thread
- PGV-101MM – 1" plastic globe valve, with flow control, male x male thread
- PGV-100JT-G – 1" plastic globe valve, Jar-Top Bonnet, no flow control
- PGV-101JT-G – 1" plastic globe valve, Jar-Top Bonnet, with flow control
- PGV-100JT-S – 1" plastic globe valve, Jar-Top Bonnet, no flow control, female slip
- PGV-101JT-S – 1" plastic globe valve, Jar-Top Bonnet, with flow control, female slip
- PGV-100JT-MM – 1" plastic globe valve, Jar-Top Bonnet, no flow control, male x male thread
- PGV-101JT-MM – 1" plastic globe valve, Jar-Top Bonnet, with flow control, male x male thread
- PGV-151 – 1½" plastic angle/globe valve with flow control
- PGV-201 – 2" plastic angle/globe valve with flow control

## Dimensions

- 1" Globe and Male x Male: 13 cm H x 11 cm L x 6 cm W
- 1" Male x Barb: 13 cm H x 14 cm L x 6 cm W
- 1" Globe Jar-Top: 13 cm H x 11 cm L x 6 cm W
- 1" Globe Jar-Top, Male x Male: 13 cm H x 14 cm L x 6 cm W
- 1½" Globe/Angle: 19 cm H x 15 cm L x 11 cm W
- 2" Globe/Angle: 20 cm H x 17 cm L x 13 cm W

## Operating Specifications

- Flow: 0.04 to 27.2 m³/hr; 0.7 to 454 l/min
- Pressure: 1.4 to 10.3 bars; 138 to 1034 kPa
- Heavy-duty solenoid: 24VAC (475mA inrush current, 230mA holding current, 50 cycles) (370mA inrush current, 190mA holding current, 60 cycles)

## Options Available

- Accu-Set™ pressure regulator
- Reclaimed water identification handle for PGV-101 models (part # 269205) and for PGV-151/201 models (part # 412705)
- DC latching solenoid (part # 458200), some models available less solenoid for DC solenoid applications
- Solenoid conduit cover (part # 464322)

## Captive Bonnet Screws, Diaphragm, and Solenoid Plunger Mean No Lost Parts During Servicing

When servicing is required, the PGV is the valve that makes it easy. The screws, captive within the bonnet, are designed to be removed by a nut driver, Phillips, or slotted screwdriver. All parts are captive within the solenoid (a great feature in a valve, assuring those parts will not be lost in the mud). The PGV also features screw through-holes in the valve body for trouble-free screw placement. If dirt gets into these holes it's no problem: as the screw is turned into the body, the dirt comes out the bottom. (It sounds simple, but other brands actually require removal of the valve to clean out the debris.)



## Accu-Set™: Finally, a Pressure Regulator That's Easy to Set

With the added option of Accu-Set on a Hunter PGV 1½" or 2" valve, you can reliably adjust and regulate pressures anywhere from 1.4 to 7 bar, and be certain the setting you select will never waver. Accu-Set can be field installed to PGV-151 or PGV-201 valve in seconds, without tools.



Plus, the best part is the ease of setting the unit—just turn to the pressure you want on the easy-reading dial. No other pressure regulating device is as simple to use (just one more reason to choose Hunter).



### PGV Pressure Loss in Bars

m³/hr	1" Globe	1½" Globe	1½" Angle	2" Globe	2" Angle
0.23	0.08				
1.14	0.13				
2.27	0.13				
3.41	0.11				
4.54	0.23	0.21	0.21	0.07	0.07
6.81	0.42	0.21	0.21	0.07	0.14
9.08		0.21	0.21	0.14	0.14
11.36		0.28	0.24	0.07	0.07
13.63		0.34	0.28	0.14	0.14
18.17		0.38	0.31	0.21	0.14
22.71		0.63	0.56	0.34	0.21
27.25		0.81	0.74	0.41	0.34
30.66				0.56	0.49
34.10				0.70	0.63

Charts based on full-open flow control position.

### PGV Pressure Loss in kPa

l/min	1" Globe	1½" Globe	1½" Angle	2" Globe	2" Angle
3.8	7.58				
18.9	13.10				
37.9	13.10				
56.8	11.03				
75.7	22.75	20.70	20.70	6.90	6.90
113.5	42.06	20.70	20.70	6.90	13.80
151.4		20.70	20.70	13.80	13.80
189.3		27.60	24.10	6.90	6.90
227.1		34.50	27.60	13.80	13.80
302.8		37.90	31.00	20.70	13.80
378.5		63.00	56.00	34.50	20.70
454.2		80.50	74.00	41.40	34.50
662.4				56.00	49.00
757.0				70.70	63.00

Charts based on full-open flow control position.

## SPECIFICATION GUIDE

EXAMPLE: **PGV - 100G - B - AS**

MODEL PGV	FEATURES	OPTIONS FACTORY INSTALLED	OPTIONS USER INSTALLED
	<b>100G</b> = 1" Globe Valve, no Flow Control <b>101G</b> = 1" Globe Valve, with Flow Control <b>100MB</b> = 1" Globe Valve, no Flow Control, Male Thread x Barb <b>101MB</b> = 1" Globe Valve, with Flow Control, Male Thread x Barb <b>100MM</b> = 1" Globe Valve, no Flow Control, Male x Male <b>101MM</b> = 1" Globe Valve, with Flow Control, Male x Male <b>151</b> = 1½" Globe/Angle Valve, with Flow Control <b>201</b> = 2" Globe/Angle Valve, with Flow Control  <b>100JT</b> = 1" Globe Valve, Jar-Top Bonnet, no Flow Control <b>101JT</b> = 1" Globe Valve, Jar-Top Bonnet, with Flow Control	<b>S</b> = Slip x Slip (1" Models Only) <b>B</b> = BSP Threads <b>DC</b> = DC Latching Solenoid  <b>MM</b> = Male x Male Thread	<b>AS</b> = Accu-Set™ Pressure Regulator (1½" and 2" Models Only) <b>R</b> = Reclaimed Water Identification Handle or Tag <b>CC</b> = Conduit Cover

## Hunter Industries Incorporated • The Irrigation Innovators

U.S.A.: 1940 Diamond Street • San Marcos, California 92078 • www.HunterIndustries.com

Europe: Bât. A2 - Europarc de Pichaury • 1330, rue Guillaibert de la Lauzières • 13856 Aix-en-Provence Cedex 3, France • TEL: +33 (0) 442-37-16-90 • FAX: +33 (0) 442-39-89-71

Australia: 8 The Parade West • Kent Town, South Australia 5067 • TEL: (61) 8-8363-3599 • FAX: (61) 8-8363-3687

© 2006 Hunter Industries Incorporated

P/N 700024

INT-361

4/06